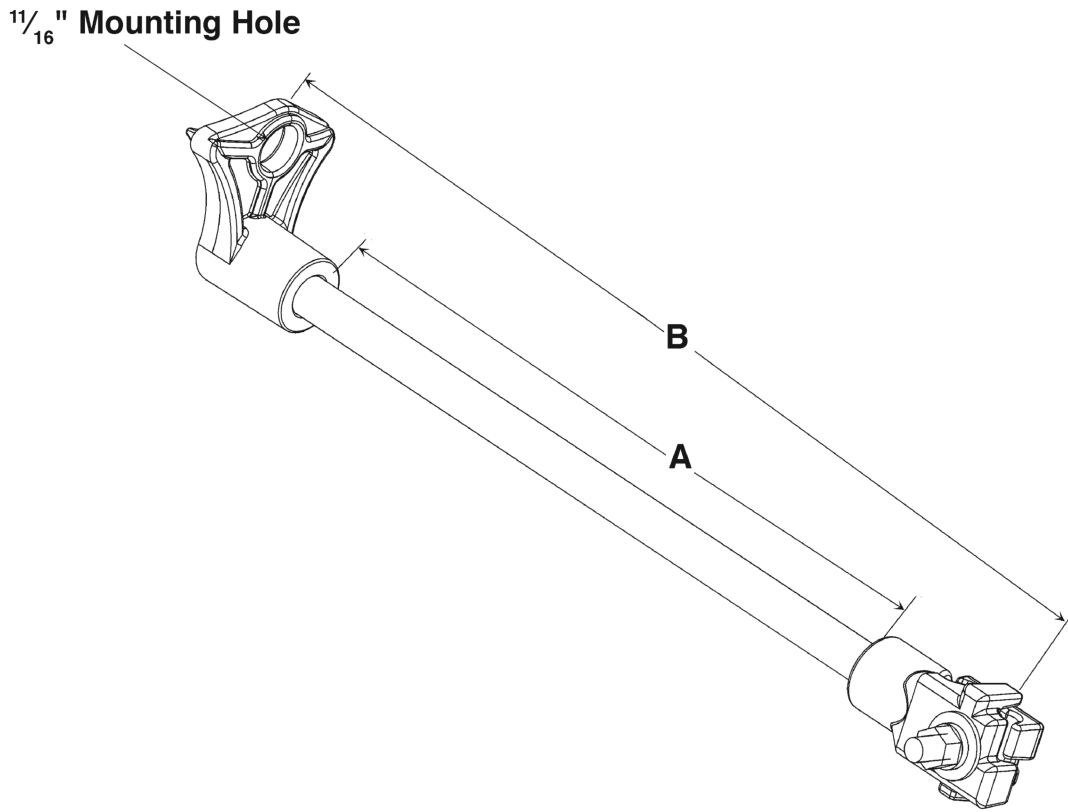


## Downlead Bracket



Base and Cable Clamp  
are hot-dip-galvanized  
ductile iron.

Catalog Number	Length A	Conductor Size		Weight (Each)	
		Length B	Minimum		Maximum
<b>Medium Duty 5/8" (16 mm) Dia. Rod</b>					
DLM12BC	12" (30.5 cm)	16.5" (41.9 cm)	0.128" (3.25 mm)	0.398" (10.11 mm)	1.89 lbs. (.85 kg)
DLM18BC	18" (45.7 cm)	22.5" (57.2 cm)	0.128" (3.25 mm)	0.398" (10.11 mm)	2.02 lbs. (.91 kg)
DLM24BC	24" (61.0 cm)	28.5" (72.5 cm)	0.128" (3.25 mm)	0.398" (10.11 mm)	2.15 lbs. (.97 kg)